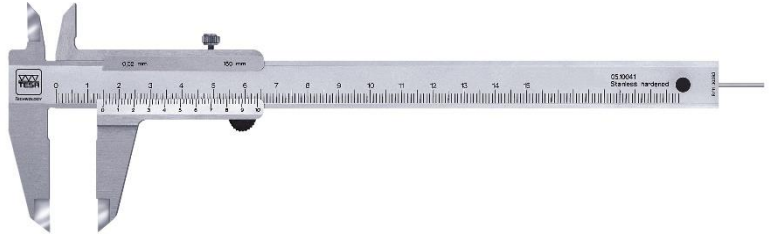


## Universal vernier calipers

### Metric versions:

- TESA metric models, with round depth rod
- DIN 862



00510047

Item Number	Description	Reading	List Price EUR	Rebate	Promo Price EUR
00510047	TESA 150 mm RD	0,05 mm	29 €	-21%	<b>23 €</b>

### mm/inch versions:

- Etalon standard models, with square depth rod
- DIN 862

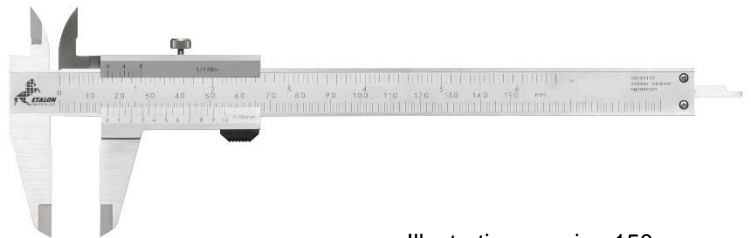


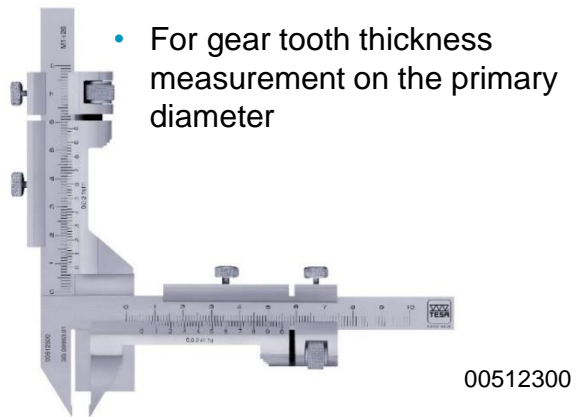
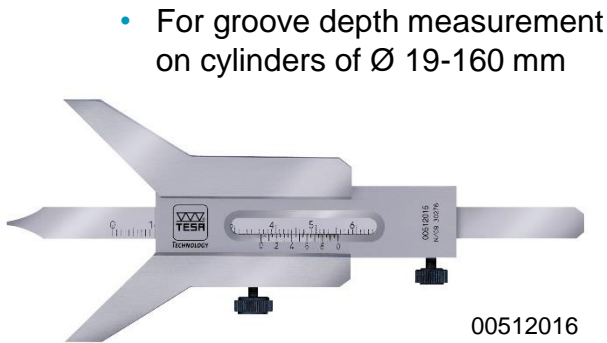
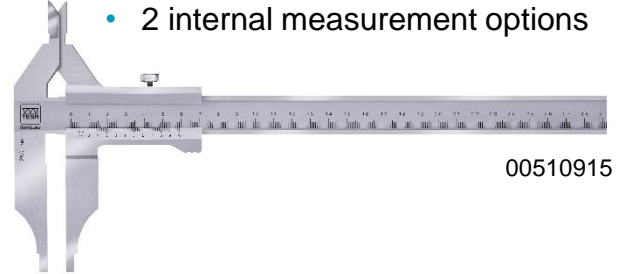
Illustration: version 150 mm

Item Number	Description	Reading	List Price EUR	Rebate	Promo Price EUR
00539104	ETALON 200 mm / 8in SQ	0,05 mm / 1/128 in	78 €	-63%	<b>29 €</b>
00539105	ETALON 300 mm / 12in SQ	0,05 mm / 1/128 in	184 €	-68%	<b>59 €</b>

Validity of promotion prices while stocks last

Prices exclude VAT  
Version EN - EUR

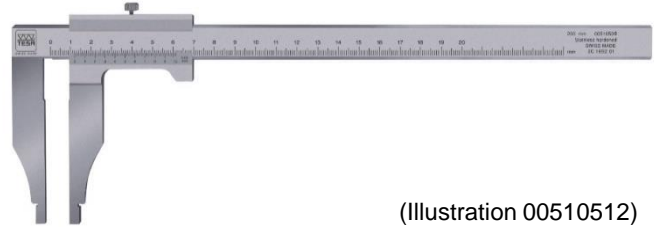
# Calipers with special design



Item Number	Description	Measuring Range	Reading	List Price EUR	Rebate	Promo Price EUR
00510911	With hook jaws for external dimensions	0 ÷ 250 mm	0,02mm	290 €	-50%	<b>145 €</b>
00530911	With hook jaws for external dimensions	0 ÷ 250 mm / 10in	0,02mm / .001in	295 €	-50%	<b>148 €</b>
00510912	With hook jaws for external dimensions	0 ÷ 250 mm	0,05mm	290 €	-50%	<b>145 €</b>
00510915	With knife-edge jaws for internal dimensions	0 ÷ 250 mm	0,02mm	270 €	-50%	<b>135 €</b>
00530915	With knife-edge jaws for internal dimensions	0 ÷ 250 mm / 10in	0,02mm / .001in	275 €	-50%	<b>138 €</b>
00512015	with vee bridge	19 ÷ 80 mm	0,05	130 €	-50%	<b>65 €</b>
00512016	with vee bridge	19 ÷ 120 mm	0,05	160 €	-50%	<b>80 €</b>
00512300	For gear teeth	1 ÷ 26 mm	0,02	431 €	-50%	<b>216 €</b>

# Workshop Calipers with rounded measuring faces for internal dimensions

- TESA standard models
- DIN 862



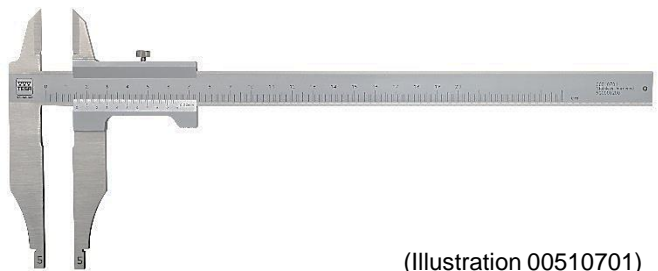
(Illustration 00510512)

Item Number	Measuring Range	Reading	List Price EUR	Rebate	Promo Price EUR
00510512	0 ÷ 250 mm	0,05 mm	95 €	-35%	<b>62 €</b>
00510531	0 ÷ 400 mm	0,02 mm	270 €	-35%	<b>176 €</b>
00510661*	0 ÷ 800 mm	0,02 mm	750 €	-35%	<b>488 €</b>

\* Model 00510661 with fine adjustment

# Models with upper jaws

- TESA standard models
- DIN 862



(Illustration 00510701)

Item Number	Measuring Range	Reading	List Price EUR	Rebate	Promo Price EUR
00530701	0 ÷ 200 mm / 8 in	0,02 mm / 0.001 in	115 €	-35%	<b>75 €</b>
00510711	0 ÷ 250 mm	0,02 mm	120 €	-35%	<b>78 €</b>
00510812*	0 ÷ 250 mm	0,05 mm	130 €	-35%	<b>85 €</b>

\* Model 00510812 with fine adjustment

# Depth Calipers

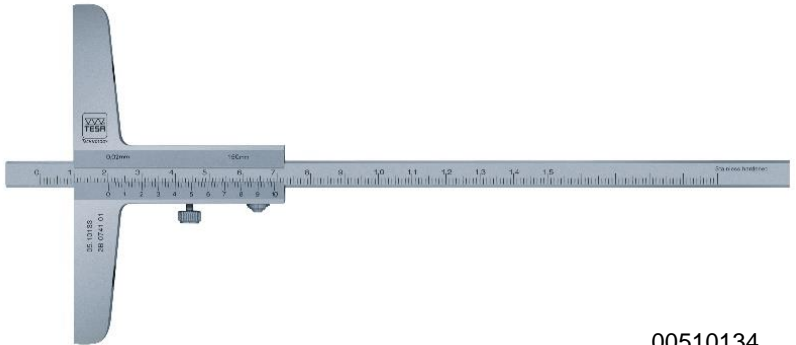
- TESA convertible model, with both a short cut measuring face and a steel tip
- DIN 862



(illustration 00510123)

Item Number	Measuring Range	Reading	List Price EUR	Rebate	Promo Price EUR
00510125	0 ÷ 250 mm	0,02 mm	105 €	-35%	<b>68 €</b>

- TESA standard models, with a flat measuring face
- DIN 862

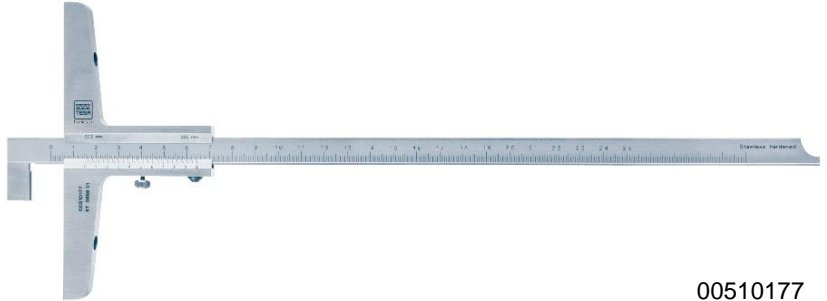


00510134

Item Number	Measuring Range	Reading	List Price EUR	Rebate	Promo Price EUR
00510134	0 ÷ 150 mm	0,05 mm	75 €	-35%	<b>49 €</b>
00510163	0 ÷ 500 mm	0,02 mm	120 €	-35%	<b>78 €</b>
00510173	0 ÷ 600 mm	0,02 mm	150 €	-35%	<b>98 €</b>
00510174	0 ÷ 600 mm	0,05 mm	150 €	-35%	<b>98 €</b>

# Depth Calipers

- TESA convertibles models, with both a fixed stop plate and a short cut measuring face
- DIN 862



00510177

Item Number	Measuring Range	Reading	List Price EUR	Rebate	Promo Price EUR
00510175	0 ÷ 150 mm	0,02 mm	110 €	-35%	<b>72 €</b>
00510176	0 ÷ 150 mm	0,05 mm	110 €	-35%	<b>72 €</b>
00510177	0 ÷ 250 mm	0,02 mm	120 €	-35%	<b>78 €</b>
00510179	0 ÷ 300 mm	0,02 mm	130 €	-35%	<b>85 €</b>
00510181	0 ÷ 500 mm	0,02 mm	150 €	-35%	<b>98 €</b>

- TESA models with a rotary stop plate
- DIN 862



00510201

Item Number	Measuring Range	Reading	List Price EUR	Rebate	Promo Price EUR
00510201	0 ÷ 150 mm	0,05 mm	120 €	-35%	<b>78 €</b>
00510202	0 ÷ 150 mm	0,02 mm	120 €	-35%	<b>78 €</b>
00510221	0 ÷ 500 mm	0,05 mm	190 €	-35%	<b>124 €</b>
00510222	0 ÷ 500 mm	0,02 mm	190 €	-35%	<b>124 €</b>

# ETALON Micrometers

## MICRORAPID 226

- Models with 1 revolution/mm
- DIN 863 T1



072116406

Item Number	Measuring Range	Reading	List Price EUR	Rebate	Promo Price EUR
072116406	0 ÷ 25 mm	0,001 mm	364 €	-12%	<b>320 €</b>
072116407	25 ÷ 50 mm	0,001 mm	444 €	-12%	<b>390 €</b>
072116409	75 ÷ 100 mm	0,001 mm	508 €	-12%	<b>445 €</b>

## MICROSPEL 280

- With mobile anvil and Ø 8mm clamping bore for axial probe such as GT21/GT22
- For batch inspection of small parts
- DIN 863 T3



072110816

Item Number	Measuring Range	Reading	List Price EUR	Rebate	Promo Price EUR
072110816	0 ÷ 25 mm	0,002 mm (vernier)	1397 €	-11%	<b>1250 €</b>

# Analogue Micrometers

## with 7 pairs of interchangeable inserts

- Non-rotating spindle 8mm
- Maximum permissible errors of the micrometer: 4µm
- Each set incl. 7 pairs of measuring inserts
  - Flat: Ø 6,5 mm, Ø 2 mm, Ø 12 mm
  - Spherical: R = 5 mm
  - Narrow, flat: 0,7 mm
  - Cone-shaped: Ø 0,3 mm / 60°
  - Knife-edged: 0,3 mm / 60°

00219062



Item Number	Measuring Range	Reading	List Price EUR	Rebate	Promo Price EUR
00219056	0 ÷ 25 mm	0,01 mm	527 €	-66%	<b>179 €</b>
00219058	25 ÷ 50 mm	0,01 mm	543 €	-63%	<b>199 €</b>
00219062	75 ÷ 100 mm	0,01 mm	629 €	-60%	<b>249 €</b>

# Dial Gauge to 0,001 mm

- Robust Dial Gauge with a great performance to value ratio
- Ø 58 mm bezel



01419151

Item Number	Measuring Range	Reading	List Price EUR	Rebate	Promo Price EUR
01419151	1 mm	0,001 mm	114 €	-57%	<b>49 €</b>