

End of line:

- TESA-HITE Magna 400 & 700
- Vernier callipers
- Micrometers and dial gauge

TESA-HITE Magna 400 & 700:

Easy-to-use height gauges designed for fast and reliable 1D measurements close to production machines



Item Number	Measuring Range	Max. perm. errors	List Price EUR	Rebate	Promo Price EUR
00730047	0-400 mm	< 8 μ m	2930 €	-19%	2375 €
00730059	0-700 mm	< 8 μ m	3443 €	-19%	2790 €

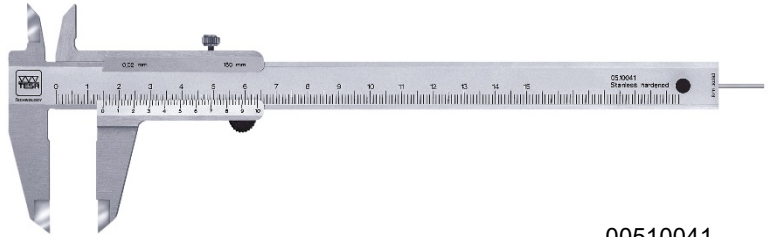
Validity of promotion prices while stocks last

Prices exclude VAT
Version EN - EUR

Universal vernier callipers

Metric versions:

- TESA standard models, with round depth rod
- DIN 862

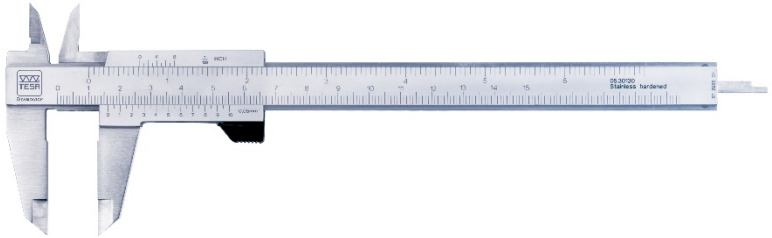


00510041

Item Number	Description	Reading	List Price EUR	Rebate	Promo Price EUR
00510041	TESA 150 mm RD	0,02 mm	29 €	-21%	23 €
00510047	TESA 150 mm RD	0,05 mm	29 €	-21%	23 €

mm/inch versions:

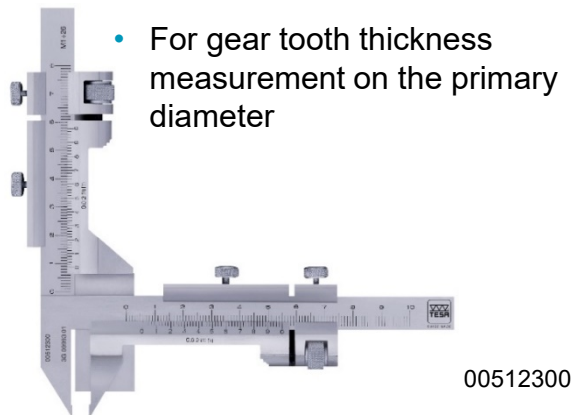
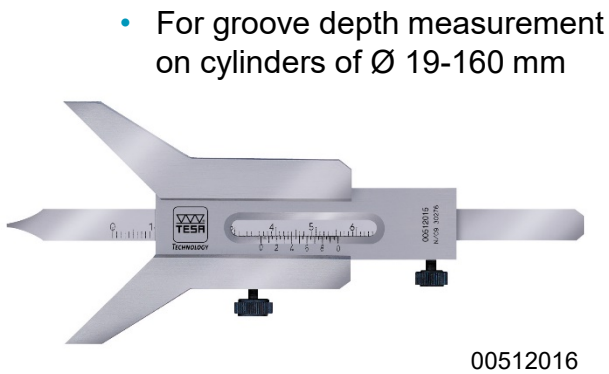
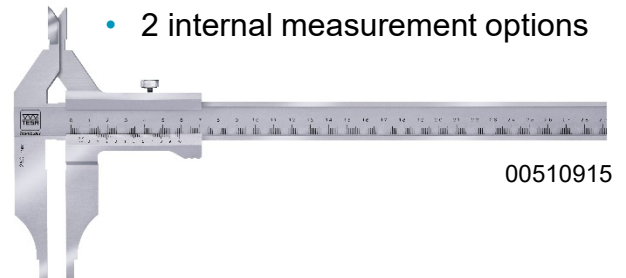
- TESA self-locking models, with parallax-free readout and square depth rod
- Etalon standard models, with square depth rod
- DIN 862



00530130

Item Number	Description	Reading	List Price EUR	Rebate	Promo Price EUR
TESA Models					
00530130	TESA 150 mm / 6" SQ	0,05 mm / 1 /128 in	75 €	-52%	36 €
00530131	TESA 150 mm / 6" SQ	0,02 mm / 0.001 in	75 €	-52%	36 €
Etalon Models					
00539104	ETALON 200 mm / 8" SQ	0,05 mm / 1/128 in	78 €	-63%	29 €
00539105	ETALON 300 mm / 12" SQ	0,05 mm / 1/128 in	184 €	-68%	59 €
00539111	ETALON 200 mm / 8" SQ	0,02 mm / 0.001 in	78 €	-55%	35 €
00539112	ETALON 300 mm / 12" SQ	0,02 mm / 0.001 in	184 €	-59%	75 €

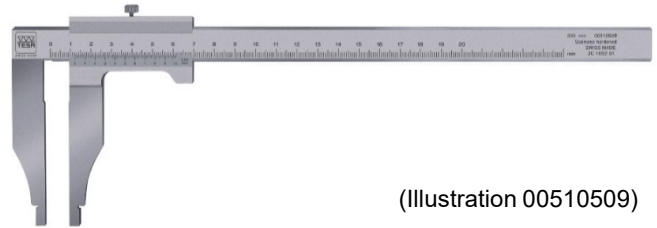
Callipers with special design



Item Number	Description	Measuring Range	Reading	List Price EUR	Rebate	Promo Price EUR
00510911	With hook jaws for external dimensions	0 ÷ 250 mm	0,02mm	290 €	-35%	189 €
00530911	With hook jaws for external dimensions	0 ÷ 250 mm / 10in	0,02mm / .001in	295 €	-35%	192 €
00510912	With hook jaws for external dimensions	0 ÷ 250 mm	0,05mm	290 €	-35%	189 €
00510915	With knife-edge jaws for internal dimensions	0 ÷ 250 mm	0,02mm	270 €	-35%	176 €
00530915	With knife-edge jaws for internal dimensions	0 ÷ 250 mm / 10in	0,02mm / .001in	275 €	-35%	179 €
00512015	with vee bridge	19 ÷ 80 mm	0,05	130 €	-35%	85 €
00512016	with vee bridge	19 ÷ 120 mm	0,05	160 €	-35%	104 €
00512017	with vee bridge	26 ÷ 160 mm	0,05	180 €	-35%	117 €
00512300	For gear teeth	1 ÷ 26 mm	0,02	431 €	-35%	280 €

Workshop Callipers with rounded measuring faces for internal dimensions

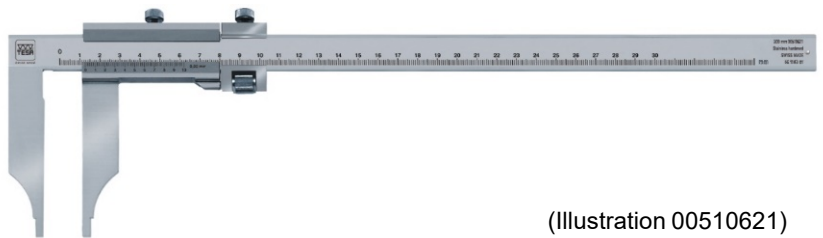
- TESA standard models
- DIN 862



(Illustration 00510509)

Item Number	Measuring Range	Reading	List Price EUR	Rebate	Promo Price EUR
00530509	0 ÷ 200 mm / 8 in	0,02 mm / 0.001 in	80 €	-35%	52 €
00510511	0 ÷ 250 mm	0,02 mm	95 €	-35%	62 €
00510512	0 ÷ 250 mm	0,05 mm	95 €	-35%	62 €
00530521	0 ÷ 300 mm / 12 in	0,02 mm / 0.001 in	115 €	-35%	75 €
00510531	0 ÷ 400 mm	0,02 mm	270 €	-35%	176 €
00530531	0 ÷ 400 mm / 15 in	0,02 mm / 0.001 in	275 €	-35%	179 €
00510551	0 ÷ 600 mm	0,02 mm	340 €	-35%	221 €

- TESA models with fine adjust device
- DIN 862

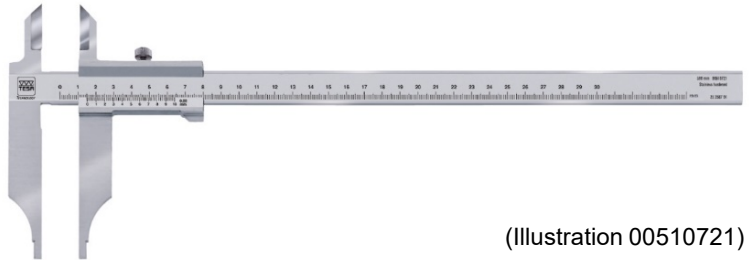


(Illustration 00510621)

Item Number	Measuring Range	Reading	List Price EUR	Rebate	Promo Price EUR
00510611	0 ÷ 250 mm	0,02 mm	105 €	-35%	68 €
00510651	0 ÷ 600 mm	0,02 mm	350 €	-35%	228 €
00510661	0 ÷ 800 mm	0,02 mm	750 €	-35%	488 €
00510671	0 ÷ 1000 mm	0,02 mm	1250 €	-35%	813 €
00510681	0 ÷ 1500 mm	0,02 mm	1980 €	-35%	1287 €
00510691	0 ÷ 2000 mm	0,02 mm	2880 €	-35%	1872 €

Workshop Callipers with rounded measuring faces for internal dimensions and upper jaws

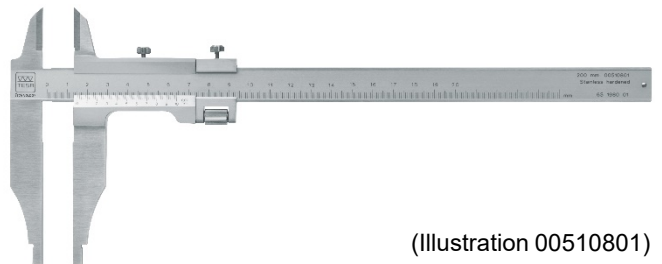
- TESA models with upper jaws
- DIN 862



(Illustration 00510721)

Item Number	Measuring Range	Reading	List Price EUR	Rebate	Promo Price EUR
00530701	0 ÷ 200 mm / 8 in	0,02 mm / 0.001 in	115 €	-35%	75 €
00510711	0 ÷ 250 mm	0,02 mm	120 €	-35%	78 €
00530721	0 ÷ 300 mm / 12 in	0,02 mm / 0.001 in	135 €	-35%	88 €
00530741	0 ÷ 500 mm / 20 in	0,02 mm / 0.001 in	315 €	-35%	205 €

- TESA models with upper jaws and fine adjust device
- DIN 862

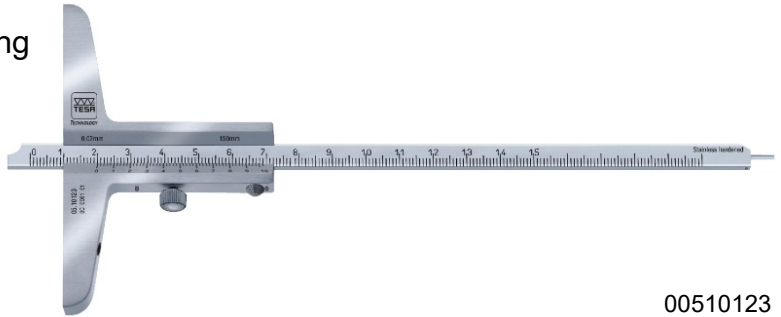


(Illustration 00510801)

Item Number	Measuring Range	Reading	List Price EUR	Rebate	Promo Price EUR
00510812	0 ÷ 250 mm	0,05 mm	130 €	-35%	85 €
00530841	0 ÷ 500 mm	0,02 mm / 0.001 in	325 €	-35%	211 €
00510851	0 ÷ 600 mm	0,02 mm	374 €	-35%	243 €
00510852	0 ÷ 600 mm	0,05 mm	374 €	-35%	243 €

Depth Callipers

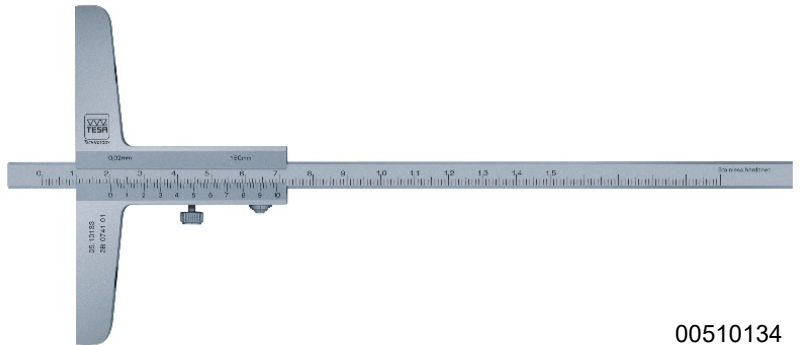
- TESA convertible models, with both a short cut measuring face and a steel tip
- DIN 862



00510123

Item Number	Measuring Range	Reading	List Price EUR	Rebate	Promo Price EUR
00510123	0 ÷ 150 mm	0,02 mm	95 €	-35%	62 €
00510125	0 ÷ 250 mm	0,02 mm	105 €	-35%	68 €

- TESA standard models, with a flat measuring face
- DIN 862

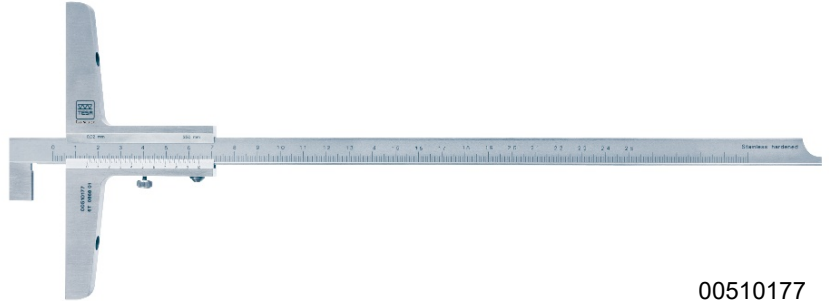


00510134

Item Number	Measuring Range	Reading	List Price EUR	Rebate	Promo Price EUR
00510134	0 ÷ 150 mm	0,05 mm	75 €	-35%	49 €
00510163	0 ÷ 500 mm	0,02 mm	120 €	-35%	78 €
00510173	0 ÷ 600 mm	0,02 mm	150 €	-35%	98 €
00510174	0 ÷ 600 mm	0,05 mm	150 €	-35%	98 €

Depth Callipers

- TESA convertibles models, with both a fixed stop plate and a short cut measuring face
- DIN 862



00510177

Item Number	Measuring Range	Reading	List Price EUR	Rebate	Promo Price EUR
00510175	0 ÷ 150 mm	0,02 mm	110 €	-35%	72 €
00510176	0 ÷ 150 mm	0,05 mm	110 €	-35%	72 €
00510177	0 ÷ 250 mm	0,02 mm	120 €	-35%	78 €
00510179	0 ÷ 300 mm	0,02 mm	130 €	-35%	85 €
00510181	0 ÷ 500 mm	0,02 mm	150 €	-35%	98 €

- TESA models with a rotary stop plate
- DIN 862



00510201

Item Number	Measuring Range	Reading	List Price EUR	Rebate	Promo Price EUR
00510201	0 ÷ 150 mm	0,05 mm	120 €	-35%	78 €
00510202	0 ÷ 150 mm	0,02 mm	120 €	-35%	78 €
00510212	0 ÷ 250 mm	0,02 mm	150 €	-35%	98 €
00510221	0 ÷ 500 mm	0,05 mm	190 €	-35%	124 €
00510222	0 ÷ 500 mm	0,02 mm	190 €	-35%	124 €

Analogue Micrometers

with 7 pairs of interchangeable inserts

- Non-rotating spindle 8mm
- Maximum permissible errors of the micrometer: 4µm
- Each set incl. 7 pairs of measuring inserts
 - Flat: Ø 6,5 mm, Ø 2 mm, Ø 12 mm
 - Spherical: R = 5 mm
 - Narrow, flat: 0,7 mm
 - Cone-shaped: Ø 0,3 mm / 60°
 - Knife-edged: 0,3 mm / 60°

00219062



Item Number	Measuring Range	Reading	List Price EUR	Rebate	Promo Price EUR
00219056	0 ÷ 25 mm	0,01 mm	527 €	-66%	179 €
00219058	25 ÷ 50 mm	0,01 mm	543 €	-63%	199 €
00219062	75 ÷ 100 mm	0,01 mm	629 €	-60%	249 €

Dial Gauge to 0,001mm

- Robust dial gauge with great price/performance ratio
- Ø 58 mm bezel



01419151

Item Number	Measuring Range	Reading	List Price EUR	Rebate	Promo Price EUR
01419151	1 mm	0,001 mm	114 €	-57%	49 €